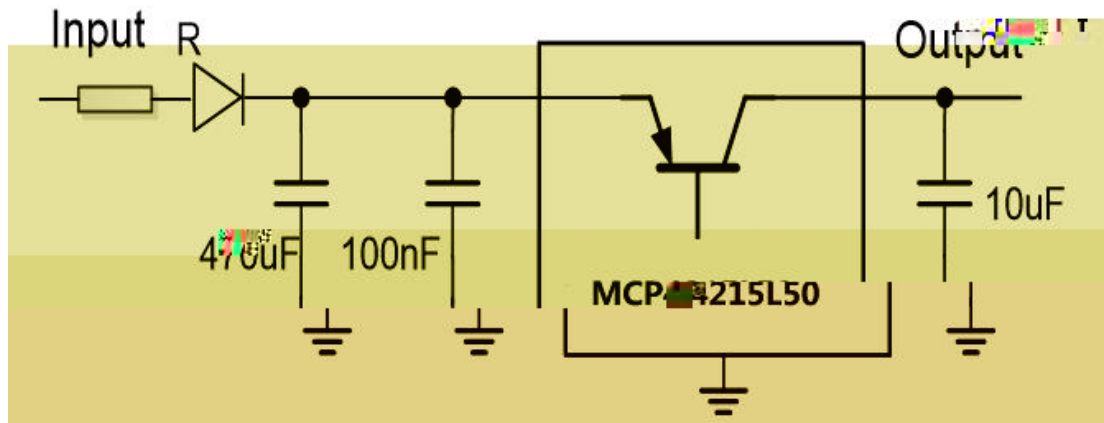
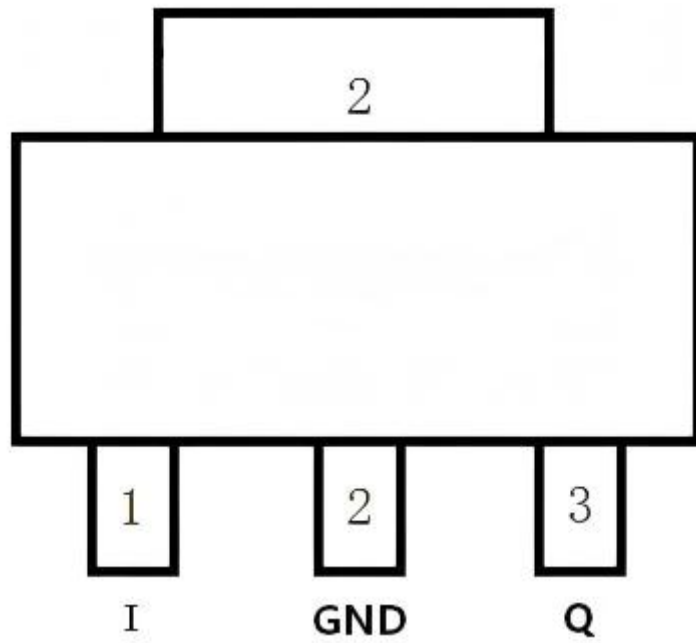


MCP4215L50 150mA
MCP4215L50 SOT-223-3
MCU
MCP4215L50
 $5.5V < V_I < 42V$ $\pm 1\%$ 5V

- 5.5V 42V
- 400mV @ 100mA
- $\pm 1\%$
- 150mA
- 90uA
-
- AEC-Q100
- RoHs



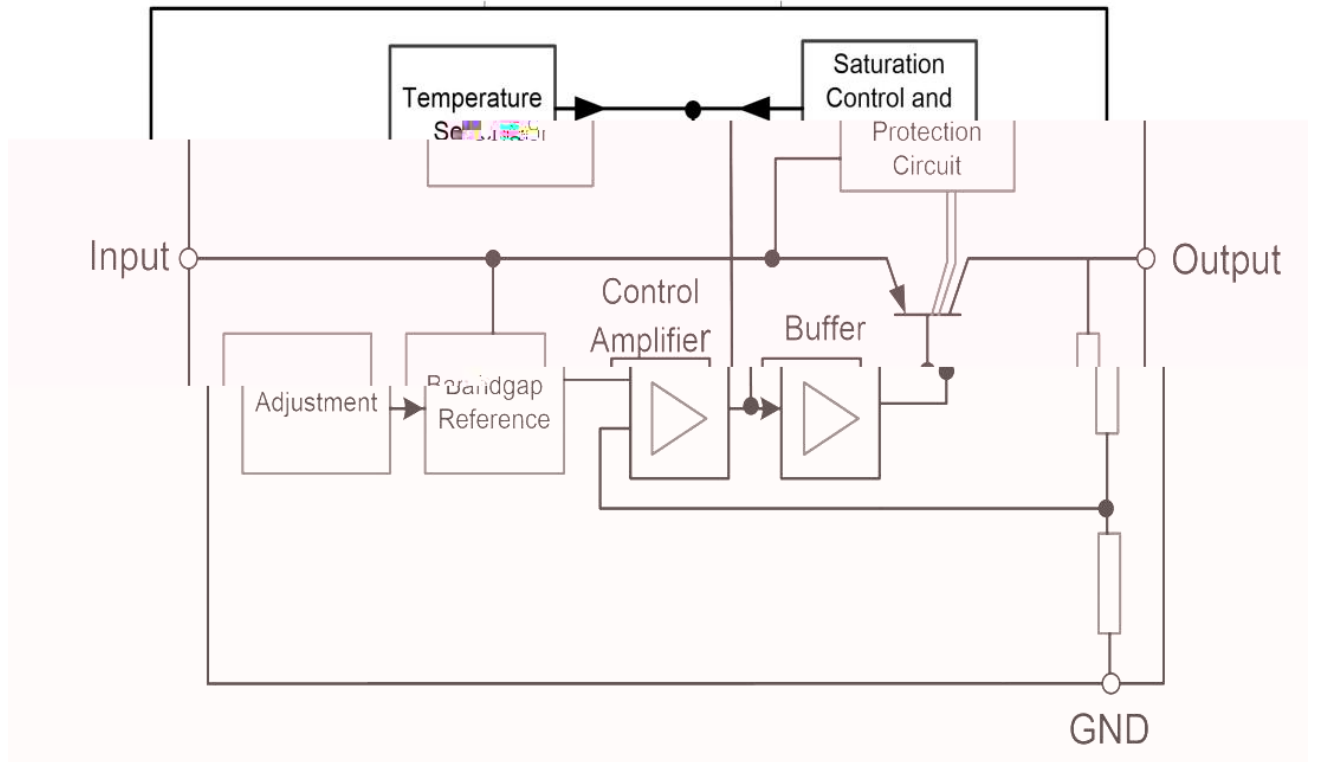
1 MCP4215L50



2

1

I	1	
GND	2	
Q	3	5V C _Q 1uF ESR 4



3 MCP4215L50

I -0.3V~42V

[2]

JA 60 /W

..... -40 ~150

10s 260

..... -40 ~150

ESD^[3]

V_{ESD_HBM} -2000V~+2000V

V_{ESD_CDM} -1000V~+1000V

..... 5.5V~42V

..... -40 ~125

$V_I = 13.5V$ $T_A = 25$

	V_I		5.5	13.5	42	V
	V_Q	$V_I = 13.5V$ $I_Q = 50mA$	4.95	5.0	5.05	V
	V_{LNR}	$8V < V_I < 40V$ $I_Q = 5mA$		2	10	mV
	V_{LDR}	$I_Q = 1mA \sim 150mA$		2	10	mV
	V_{dr}	$I_Q = 100mA$		400	500	mV
	I_{q1}			80	100	μA
	I_{q2}	$I_Q = 5mA$		100	110	μA
	I_{q3}	$I_Q = 100mA$		350	450	μA
	I_Q	$V_I = 7V$	0		360	mA
	I_{LIM}	$V_I = 13.5V$ $V_Q = 0.9 * V_{Q(normal)}$		365		mA
	PSRR	$f = 100Hz$ $V_{ripple} = 0.5V_{pp}$		70		dB
	V_{UVLO}	V_I		2.3		V
	V_{UVLO_HYS}			0.1		V

[1]

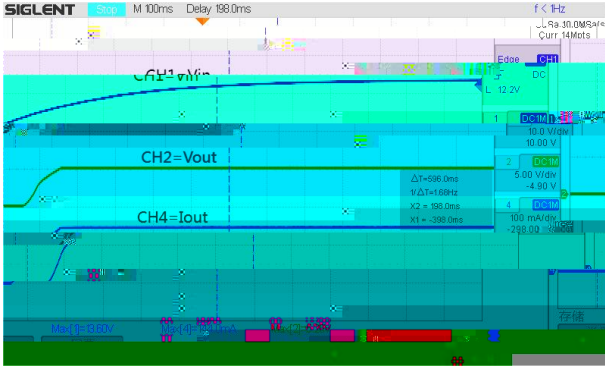
[2] J_A PCB $T_A = 25$

[3] ESD-HBM JESD22-A114 ESD-CDM EIA-JEDEC JESD22-C101

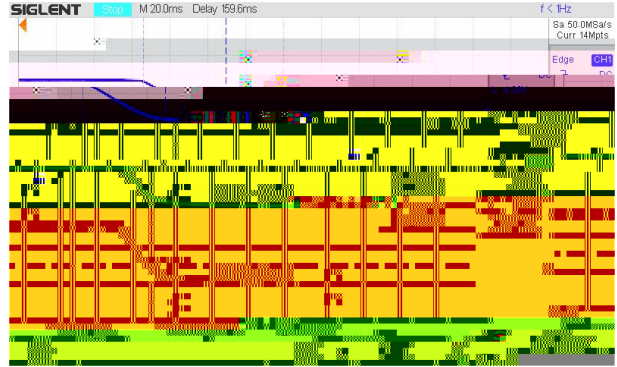
[4]

$T_A=25$

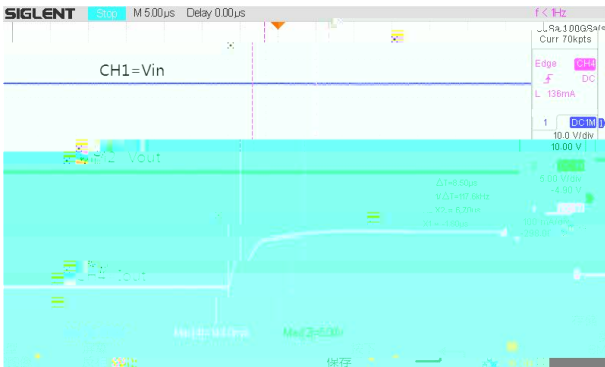
$V_I=13.5V$ $V_Q=5V$ $I_Q=150mA$



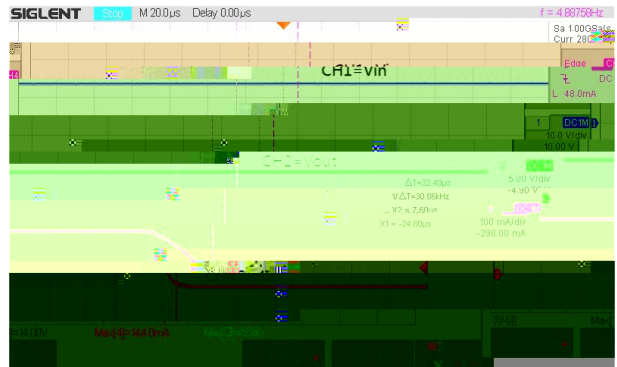
$V_I=13.5V$ $V_Q=5V$ $I_Q=150mA$



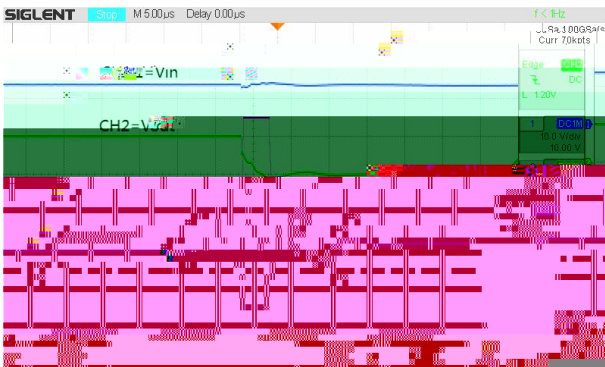
$V_I=13.5V$ $V_Q=5V$ I_Q 0mA~150mA



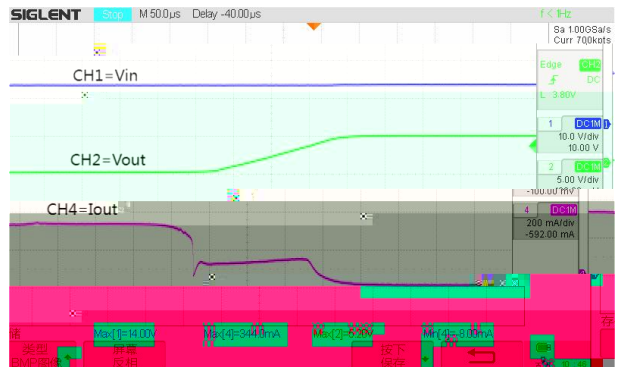
$V_I=13.5V$ $V_Q=5V$ I_Q 150mA~0mA

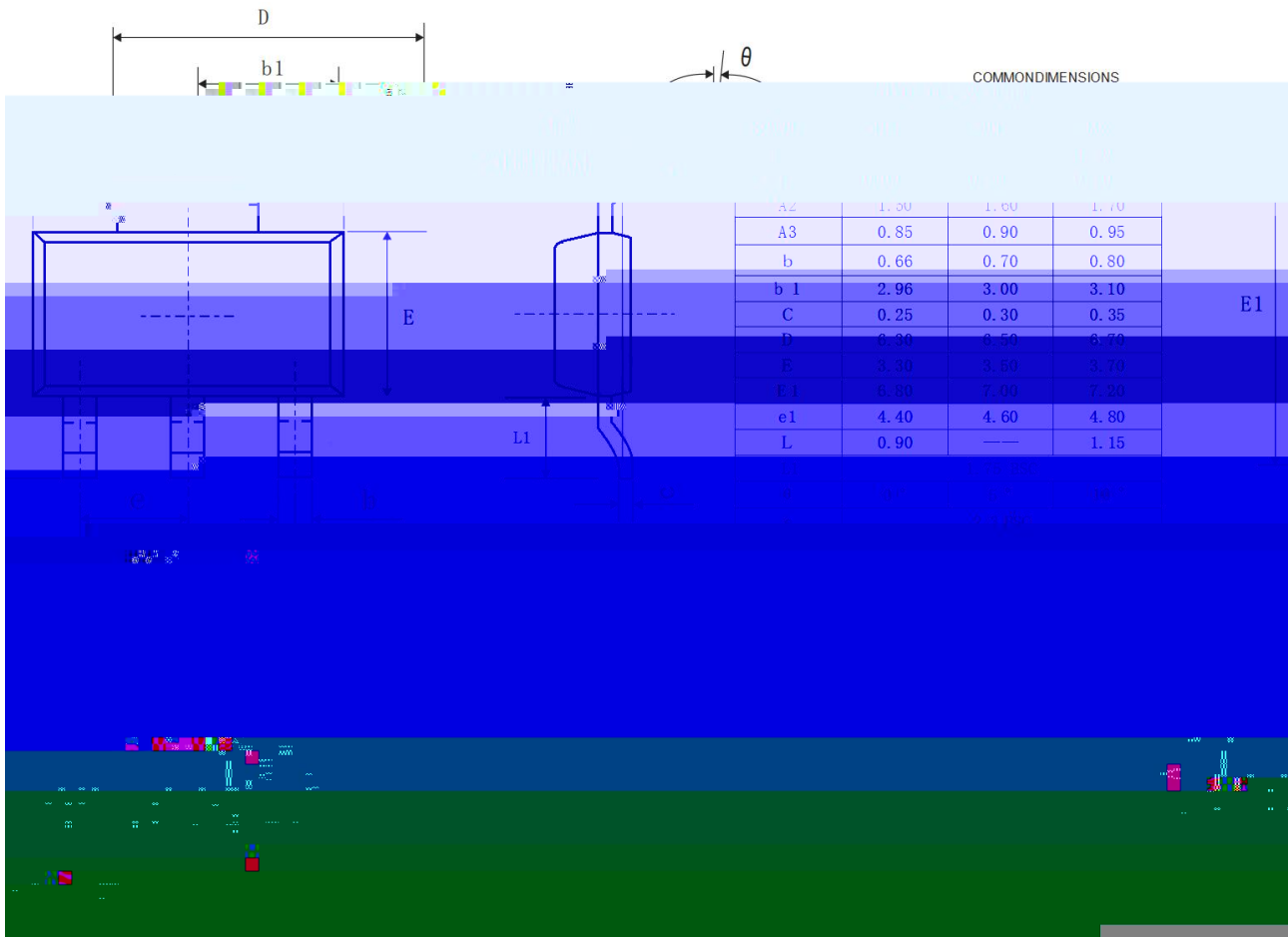


$V_I=13.5V$ $V_Q=5V$ I_Q 0mA~



$V_I=13.5V$ $V_Q=5V$ I_Q ~0mA





SOT-223-3

MCP4215L50	SOT-223-3	2500pcs/Tape&Reel