

MCP4207

70mA

SOT89-5L

MCU

MCP4207

$5.0V < V_{SP} < 42V$

1%

V_{out}

MCP4207L33

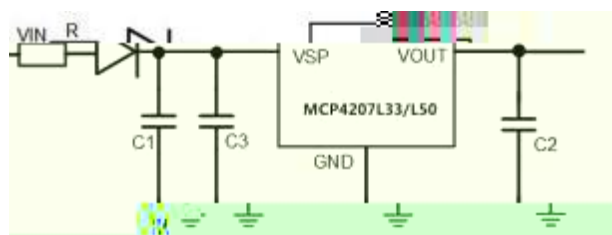
3.3V

MCP4207L50

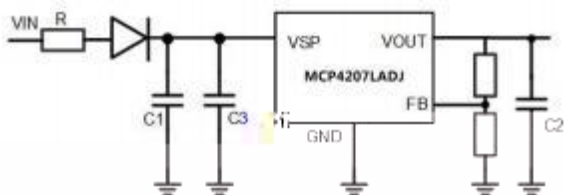
5V

MCP4207LADJ

- 5V 42V
- 1%
- 70mA
- 350mV @ 100mA
- 80μA 8μA
- 300mA
- AEC-Q100
- RoHs
- BMS
- /
-
-
-

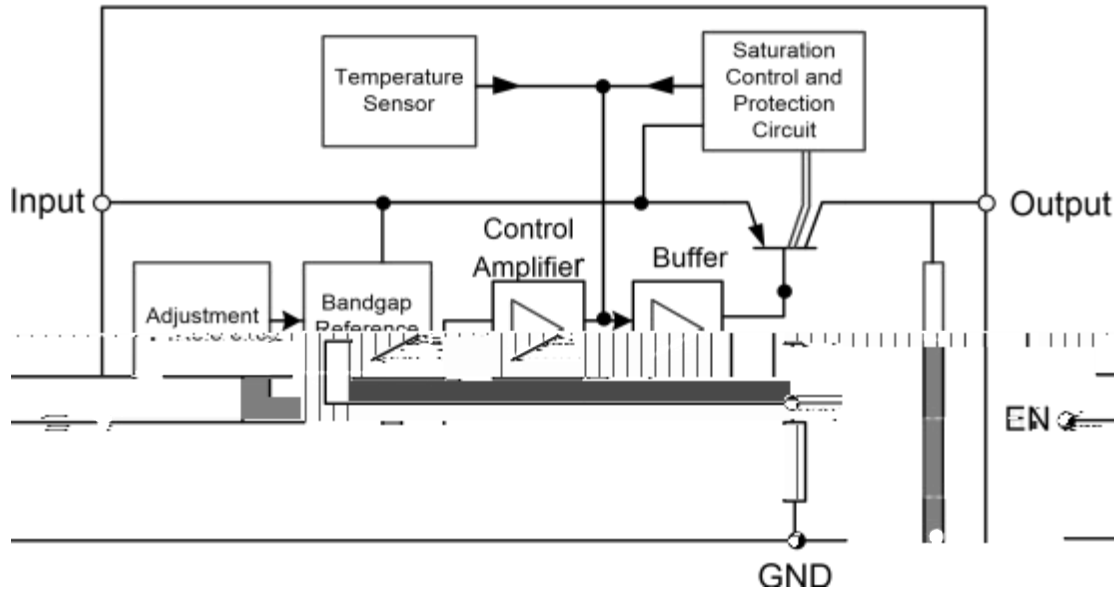


1 MCP4207L33/L50

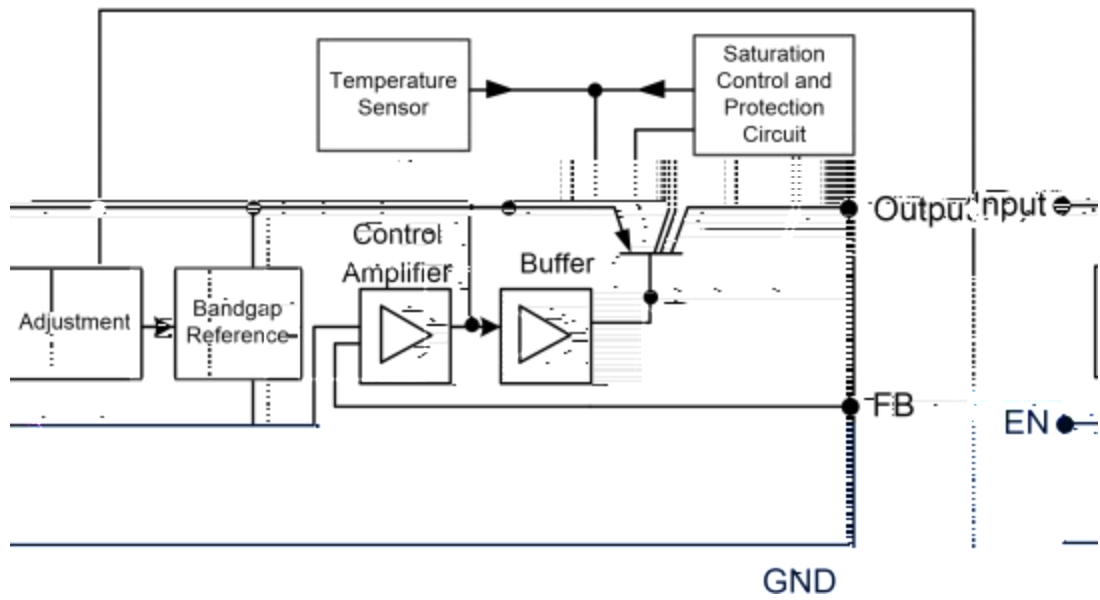


2 MCP4207LADJ

MOS



5 MCP4207L33/L50



6 MCP4207LADJ

VSP	- 0.3V ~ 42V
EN	- 0.3V ~ 42V
FB	- 0.3V ~7V
Vout MCP4207L33	3.27V ~ 3.33V
Vout MCP4207L50	4.95V ~5.05V
Vout MCP4207LADJ	1.25V~20V

[2]

JA	50 /W
.....	- 40 ~150
.....	- 40 ~150

ESD^[3]

V _{ESD_HBM}	- 2000V ~ +2000V
V _{ESD_CDM}	- 300V ~ +300V

.....	5V~ 42V
.....	- 40 ~125

$V_{EN} = V_{SP} = 12V$ $V_{OUT} = 3.3V$ $T_A = 25$

	MCP4207L50	5	13.5	42	
V_{SP}					V
	MCP4207L33/LADJ	4.5		42	
V_{UVLO}	V_{SP}		2.4		V
V_{EN_H}	$5V < V_{SP} < 40V$ $1mA < I_{out} < 150mA$		2.1	2.5	V
V_{EN_Hys}	$V_{EN_Hys} = V_{EN_H} - V_{EN_L}$		1.1	1.5	V
		3.27	3.3	3.33	
V_{out}	$5V < V_{SP} < 40V$ $1mA < I_{out} < 150mA$	4.95	5.0	5.05	V
			FB= 1.25V		
V_{LNR}	$6V < V_{SP} < 42V$ $I_{out} = 1mA$		0.3	0.5	mV/V
V_{LDR}	$1mA < I_{out} < 100mA$		0.1	0.3	mV/mA
	$I_{out} = 50mA$		0.15	0.40	V
[5] V_{dr}	$I_{out} = 100mA$		0.35	0.50	V

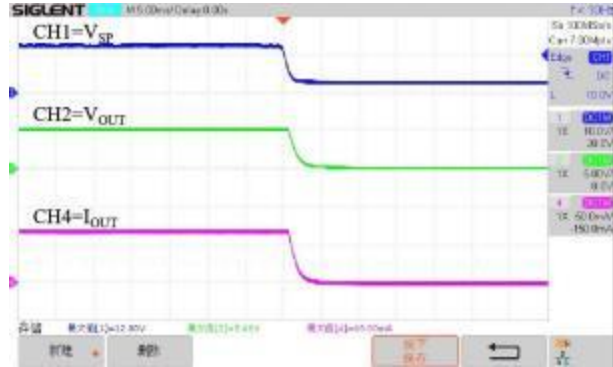
MCP4207LADJ

$T_A=25$

$V_{SP}=12V$ $V_{OUT}=5V$ $I_{OUT}=70mA$



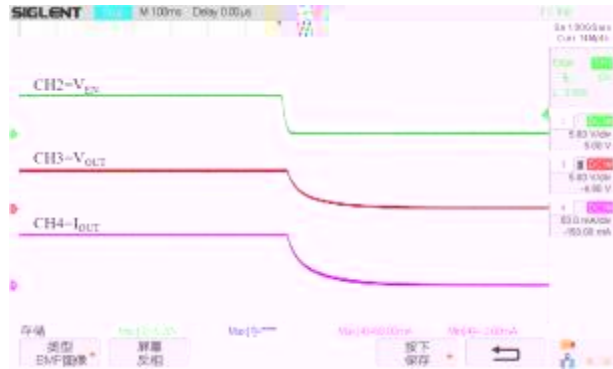
$V_{SP}=12V$ $V_{OUT}=5V$ $I_{OUT}=70mA$



$V_{SP}=12V$ $V_{EN}=5V$ $V_{OUT}=5V$ $I_{OUT}=70mA$



$V_{SP}=12V$ $V_{EN}=5V$ $V_{OUT}=5V$ $I_{OUT}=70mA$



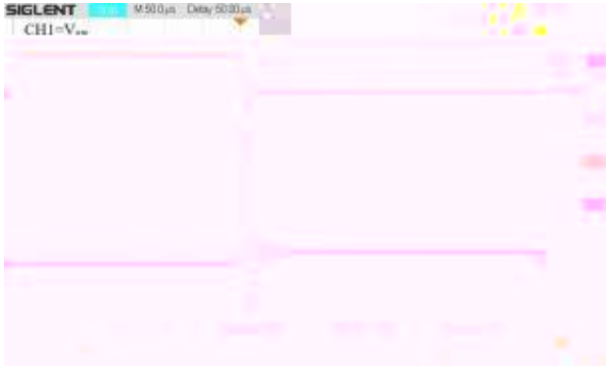
$V_{SP}=12V$ $V_{OUT}=5V$ $I_{OUT}=0mA \sim 70mA$



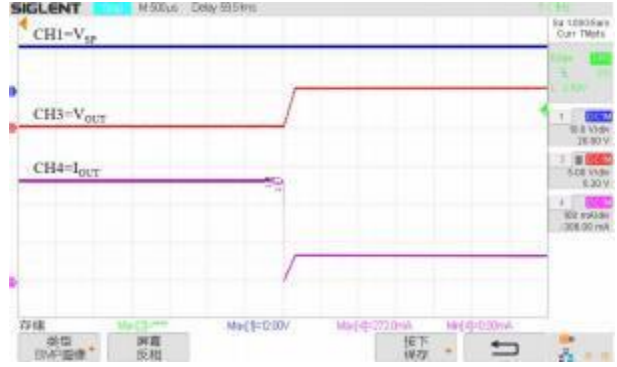
$V_{SP}=12V$ $V_{OUT}=5V$ $I_{OUT}=70mA \sim 0mA$



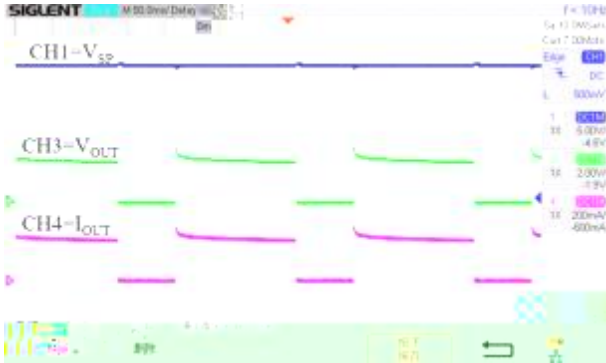
$V_{SP}=13.5V$ $V_{OUT}=5V$ $I_{OUT}=0mA\sim$



$V_{SP}=13.5V$ $V_{OUT}=5V$ $I_{OUT}=\sim R_L=75$



$V_{SP}=18V$ $V_{OUT}=5V$ $R_L=10$



$V_{SP}=18V$ $V_{OUT}=5V$ $R_L=10$

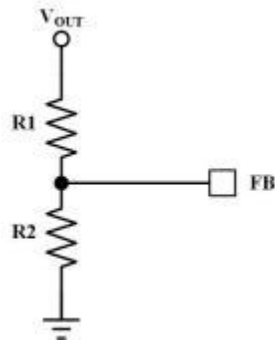


R_1 R_2
 1.25V
 1%

MCP4207LADJ
 $5V < V_{SP} < 42V$

MCP4207LADJ

$$V_{OUT} = 1.25V * \frac{R_1 + R_2}{R_2}$$



2 R
 100nF

C_1 1

470uF C_3

MCP4207

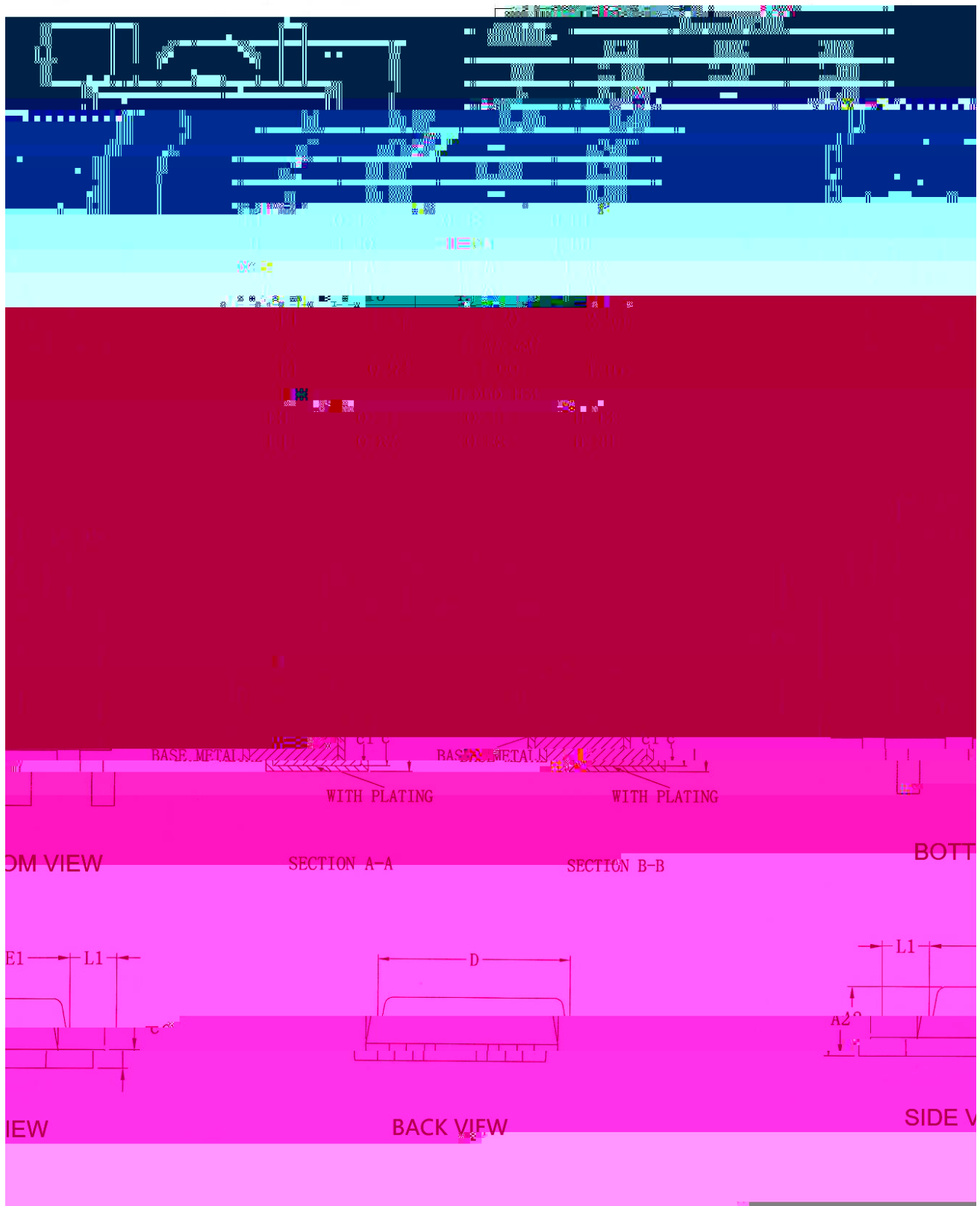
$1\mu F$ ESR $4R$

10uF

MCP4207 300mA

$$P_D = (V_{IN} - V_{OUT}) \cdot I_{OUT} + V_{IN} \cdot I_{GND}$$

$$P_{D(MAX)} = (T_{J(MAX)} - T_A) / J_A \quad T_{J(MAX)} \quad T_A$$



SOT89-5L

MCP4207L33	SOT89-5L	1000/Tape & Reel
MCP4207L50	SOT89-5L	1000/Tape & Reel
MCP4207LADJ	SOT89-5L	1000/Tape & Reel